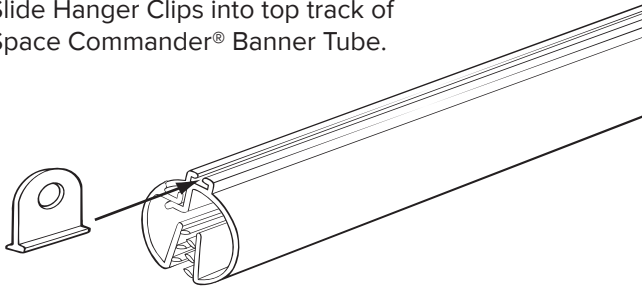


Space Commander® Banner Hanger with Track – Joiner

Installation Instructions

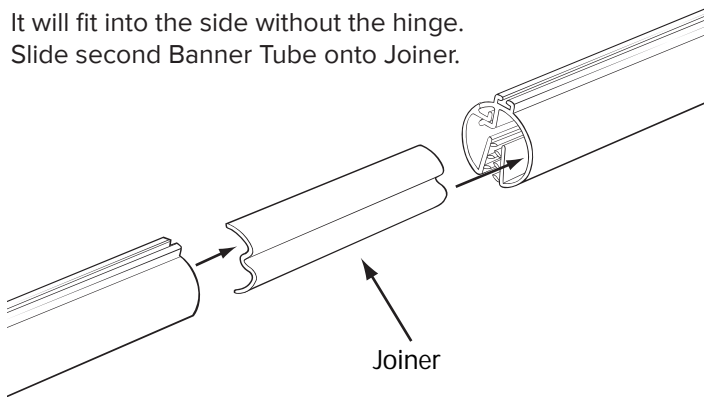
①

Slide Hanger Clips into top track of Space Commander® Banner Tube.



②

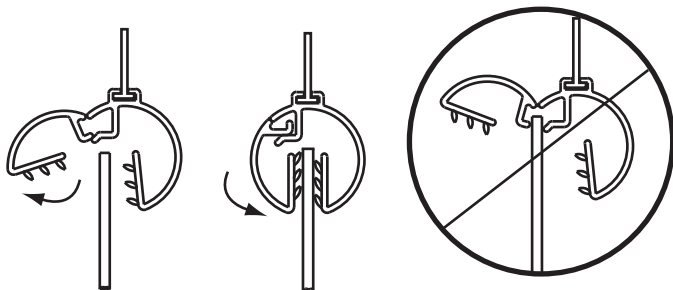
Insert Joiner into the Banner Tube. It will fit into the side without the hinge. Slide second Banner Tube onto Joiner.



③

Pry open hinged side. Start at one end of tube, and work your way down tube until it is completely open. Insert banner, snap shut tube to lock banner in place.

NOTE: See illustration below to determine how far to insert banner into banner hanger. Inserting banner too far into banner hanger may damage its hinge.

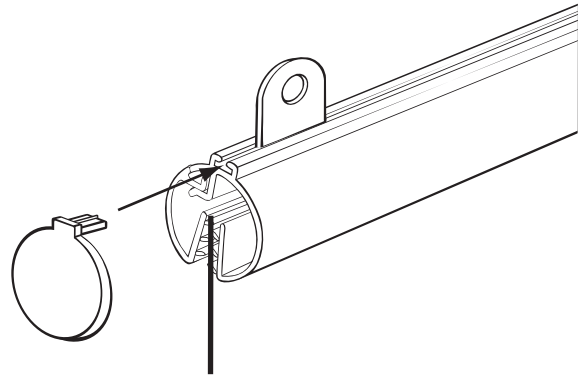


CAUTION:

Do not feed banner into clamping mechanism.

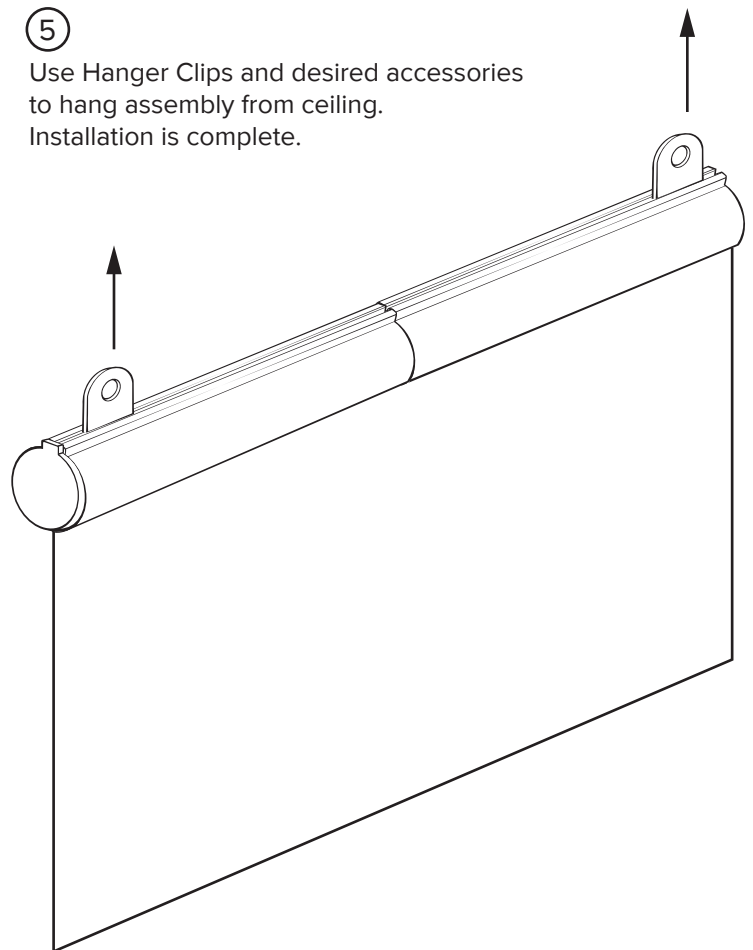
④

Insert End Caps into top track of Banner Tube.



⑤

Use Hanger Clips and desired accessories to hang assembly from ceiling. Installation is complete.



20190607

For more information,
call **800.422.2547**
visit **www.siffron.com**

siffron[™]
always on